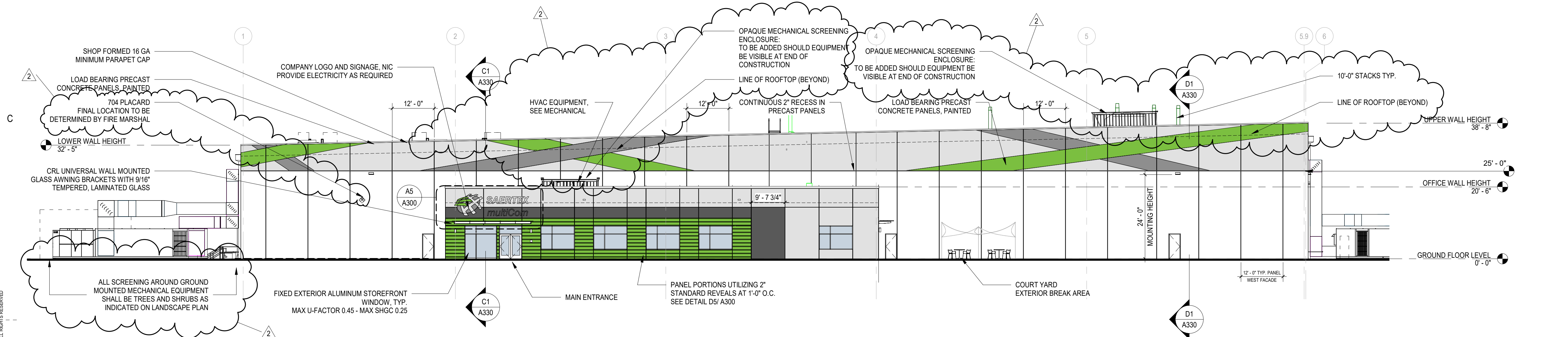
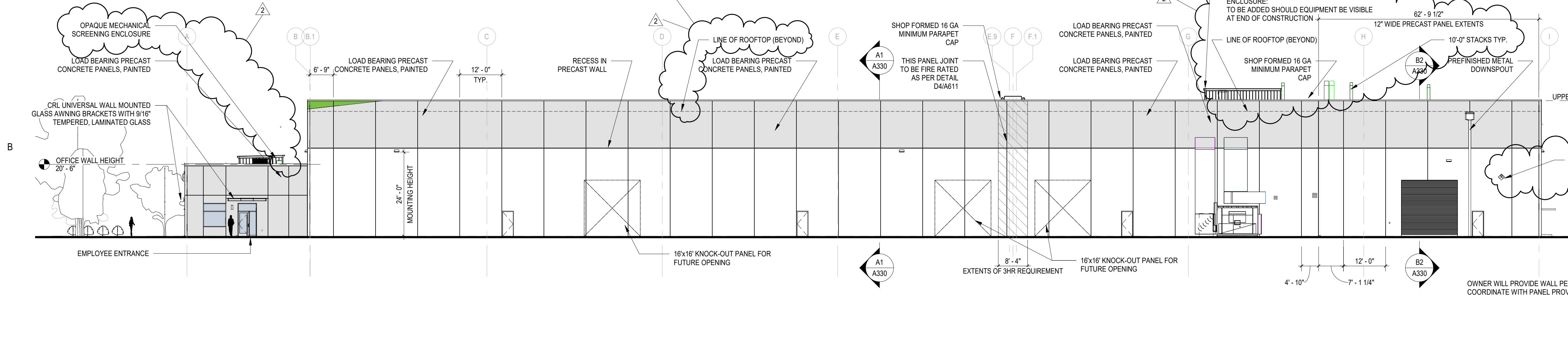


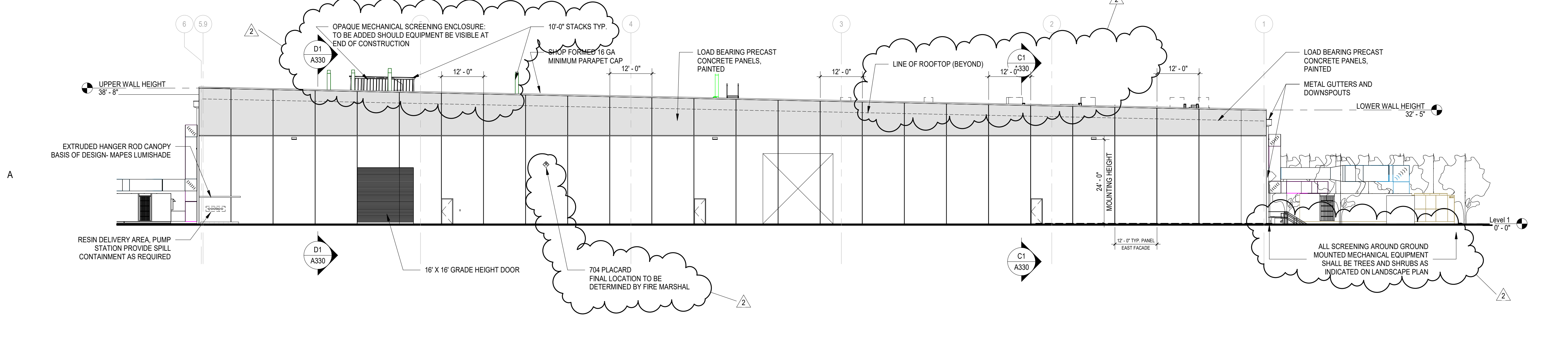
D1  
A300  
NORTH ELEVATION  
1/16" = 1'-0"



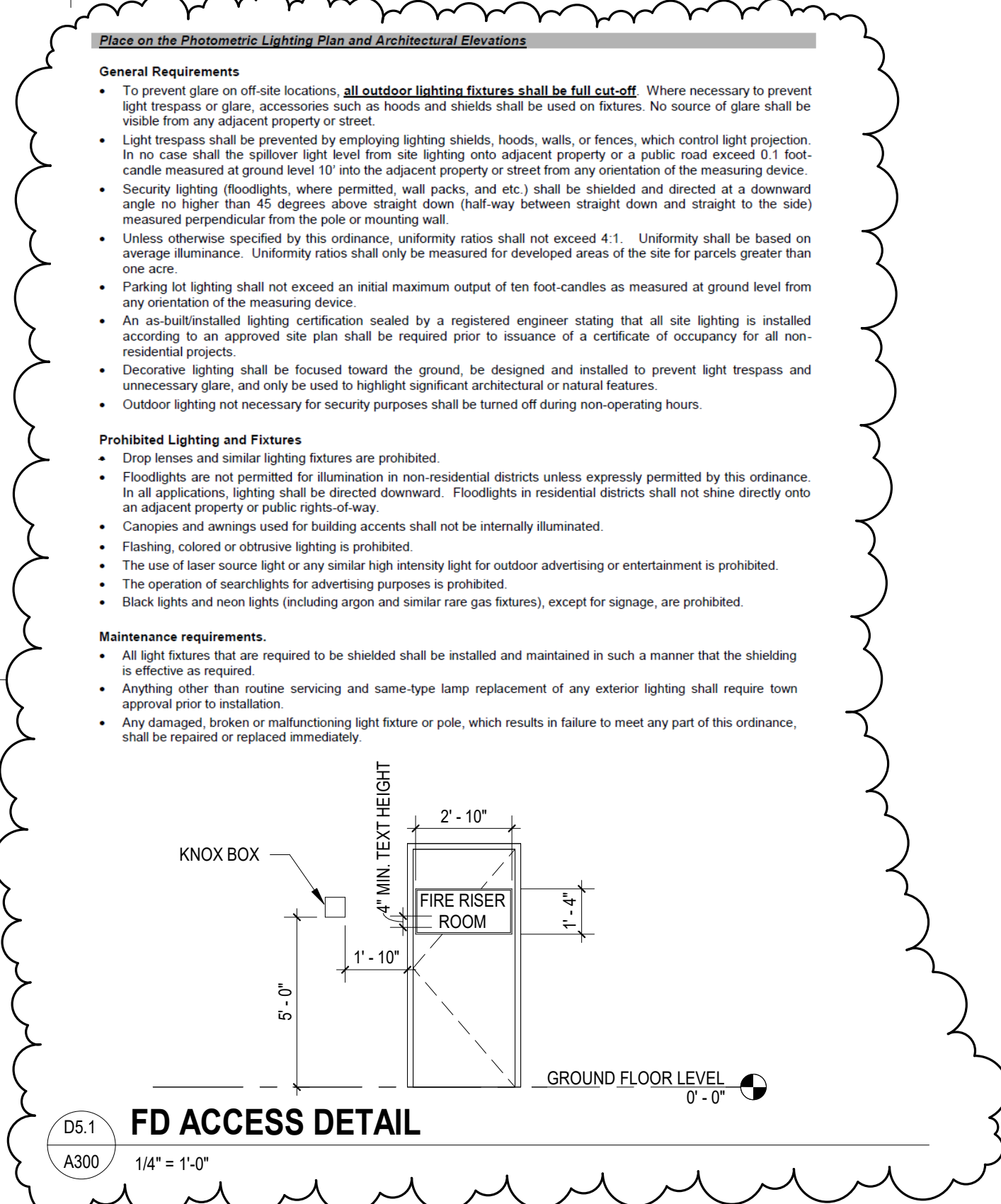
C1  
A300  
WEST ELEVATION  
1/16" = 1'-0"



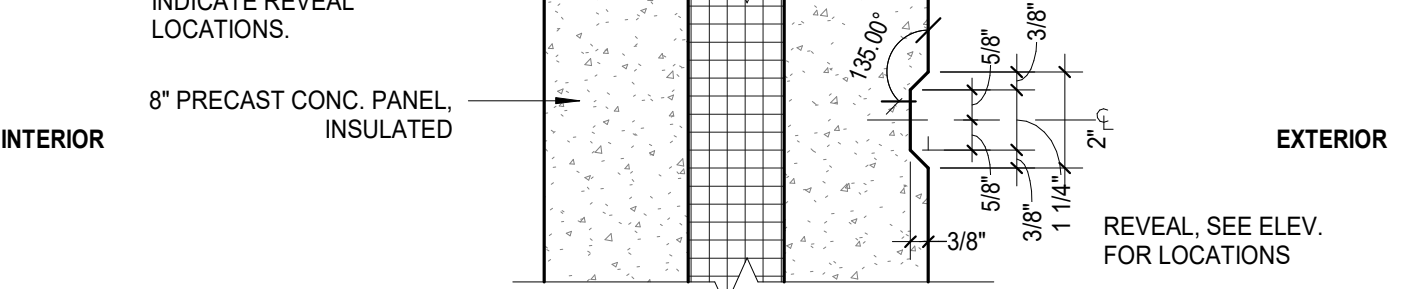
B1  
A300  
SOUTH ELEVATION  
1/16" = 1'-0"



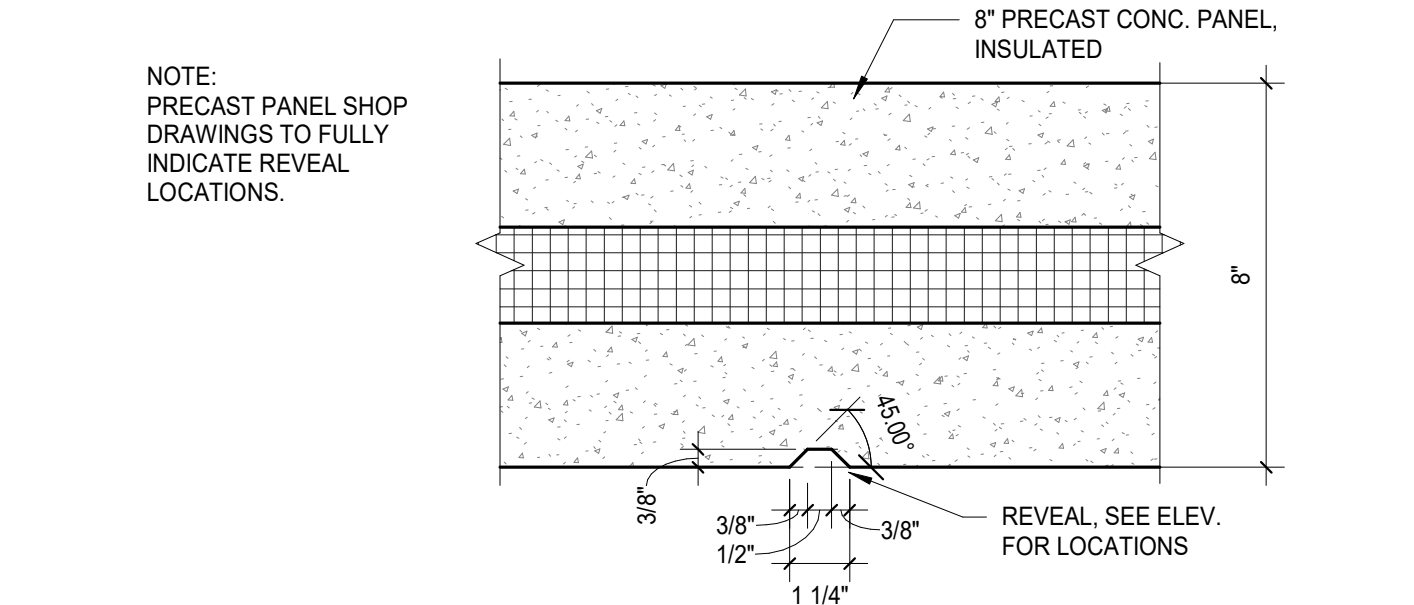
A1  
A300  
EAST ELEVATION  
1/16" = 1'-0"



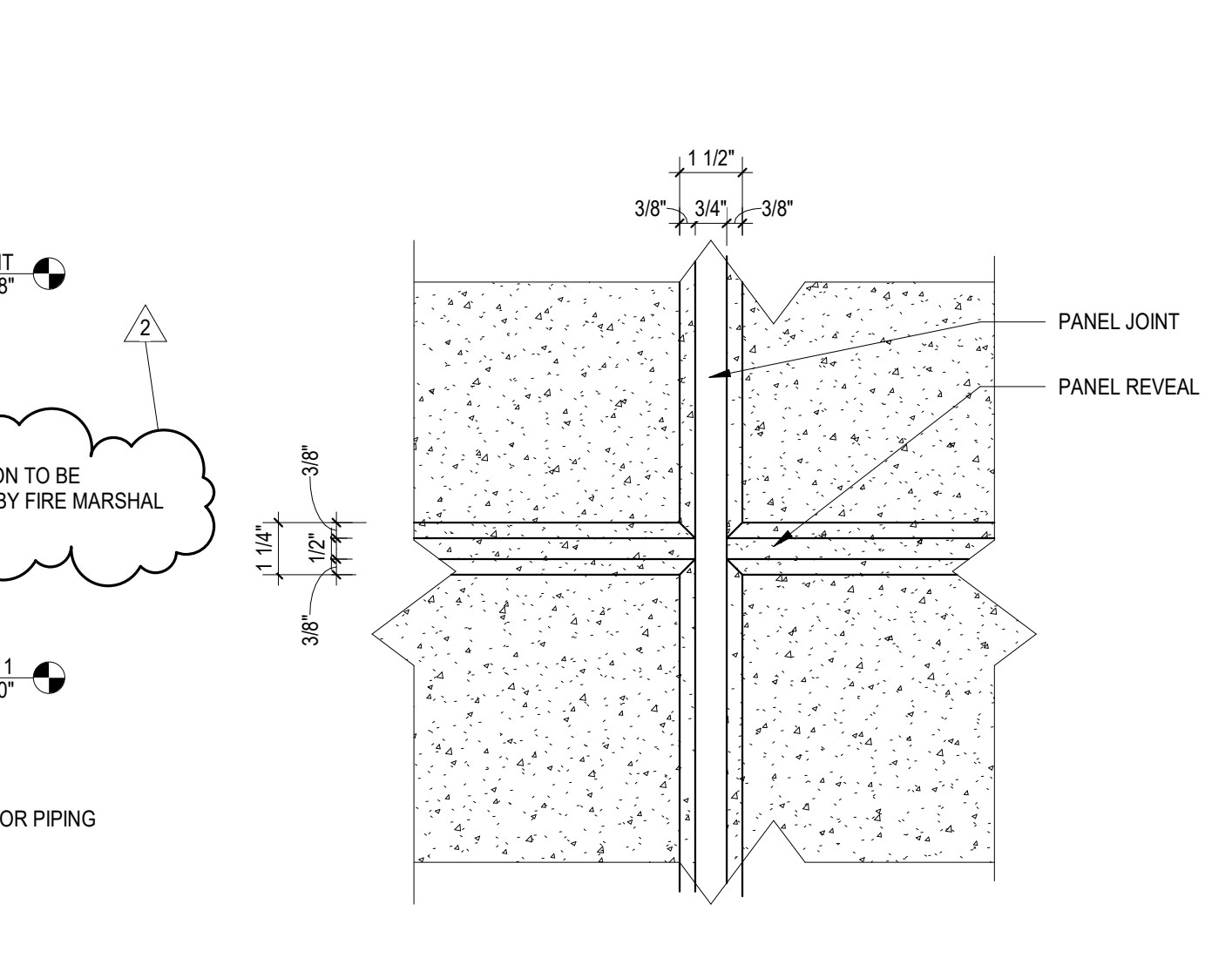
D5.1  
A300  
FD ACCESS DETAIL  
1/4" = 1'-0"



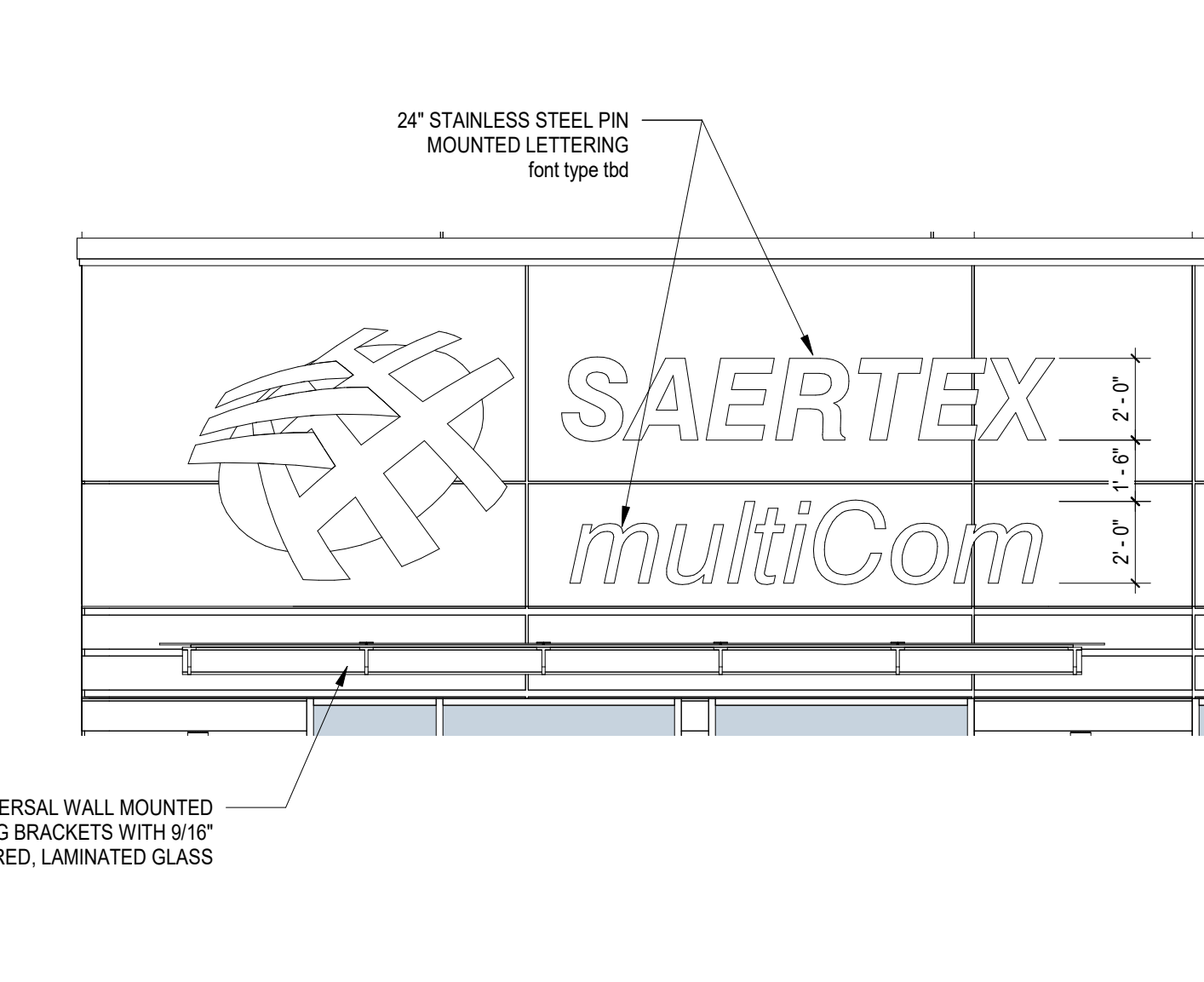
D5  
A300  
TYP. REVEAL DETAIL - OFFICE  
3" = 1'-0"



C5  
A300  
TYP. REVEAL DETAIL - VERTICAL  
3" = 1'-0"



B5  
A300  
TYP. REVEAL AND JOINT DETAIL  
3" = 1'-0"



A5  
A300  
SIGNAGE ELEVATION  
1/4" = 1'-0"

ALL DRAWINGS, SPECIFICATIONS AND NOTES HEREBY FURNISHED BY MCMILLAN PAZDAN SMITH ARCHITECTURE ARE AND SHALL REMAIN THE PROPERTY OF MCMILLAN PAZDAN SMITH ARCHITECTURE. THESE DRAWINGS ARE TO BE USED ONLY FOR THE PROJECT AND SITE SPECIFICALLY IDENTIFIED THEREIN. ANY REUSE, REPRODUCTION, OR MODIFICATION OF THESE DRAWINGS WITHOUT THE WRITTEN CONSENT OF MCMILLAN PAZDAN SMITH ARCHITECTURE IS STRICTLY PROHIBITED. THE USER ASSUMES ALL LIABILITY FOR ANY AND ALL DAMAGES, INCLUDING REASONABLE ATTORNEY'S FEES, ARISING FROM ANY SUCH REUSE, REPRODUCTION, OR MODIFICATION. MCMILLAN PAZDAN SMITH ARCHITECTURE SHALL NOT BE RESPONSIBLE FOR ANY AND ALL DAMAGES, INCLUDING REASONABLE ATTORNEY'S FEES, ARISING FROM ANY SUCH REUSE, REPRODUCTION, OR MODIFICATION.