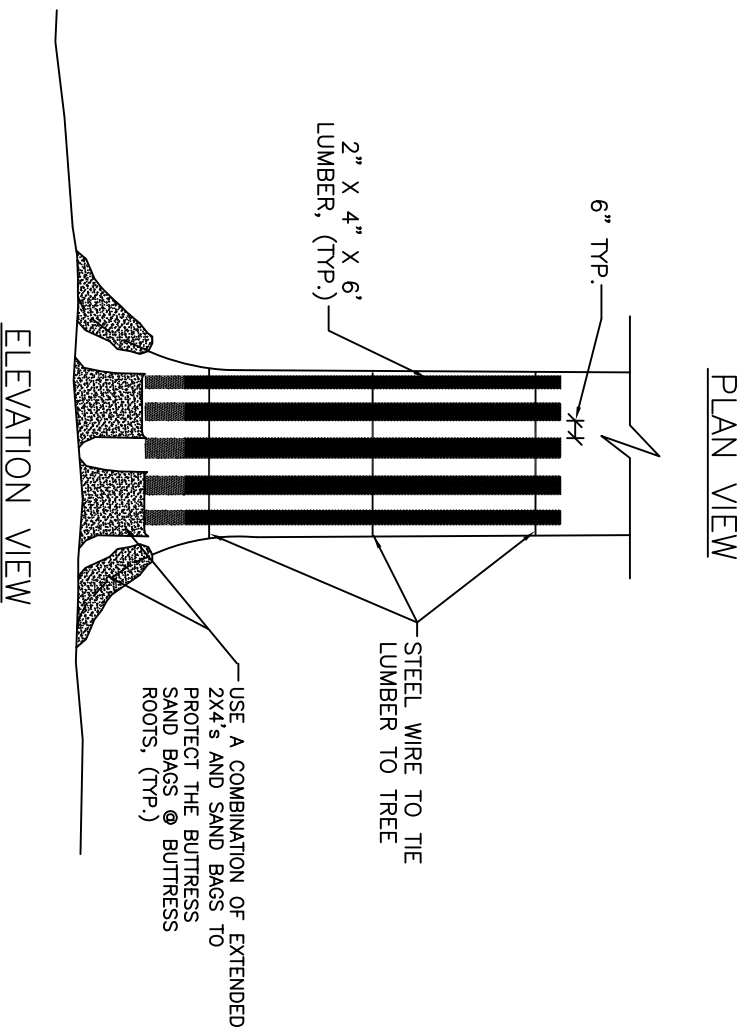
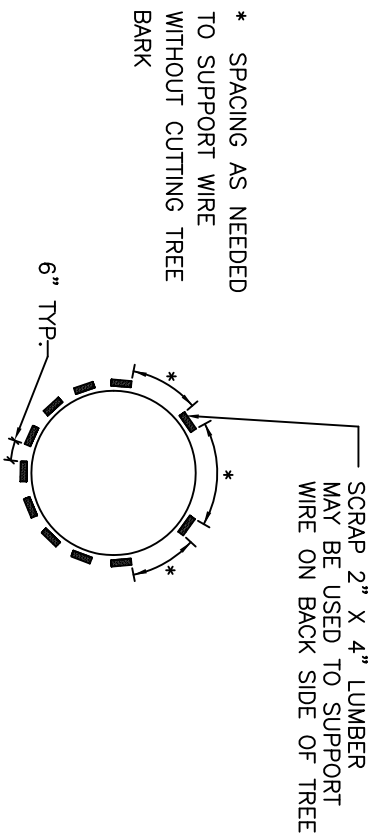


- NOTES:
1. THIS TREE BUMPER DETAIL SHALL BE USED WHEN WORKING WITHIN 10' OF AN EXISTING TREE TO BE PROTECTED.
 2. ALL TREES SHALL BE SAVED UNLESS NOTED OTHERWISE ON THE PLANS OR DIRECTED BY THE ENGINEER.
 3. LUMBER, WIRE, AND SANDBAGS MAY BE REUSED FOR OTHER TREES.
 4. THE INTENT OF THIS DETAIL IS TO PROTECT EXISTING TREES FROM DAMAGE DURING CONSTRUCTION ESPECIALLY FROM BACKHOE ARM SWING. AN ALTERNATE APPROACH MAY BE USED IF APPROVED IN WRITING BY THE ENGINEER AFTER CONSULTATION WITH THE TOWN ARBORIST OR HIS DULY AUTHORIZED REPRESENTATIVE.



NOT TO SCALE