

FOR REFERENCE ONLY:

NOTES:

BUILDING 2 TO UTILIZE SAME MATERIALS AS BUILDING 1.

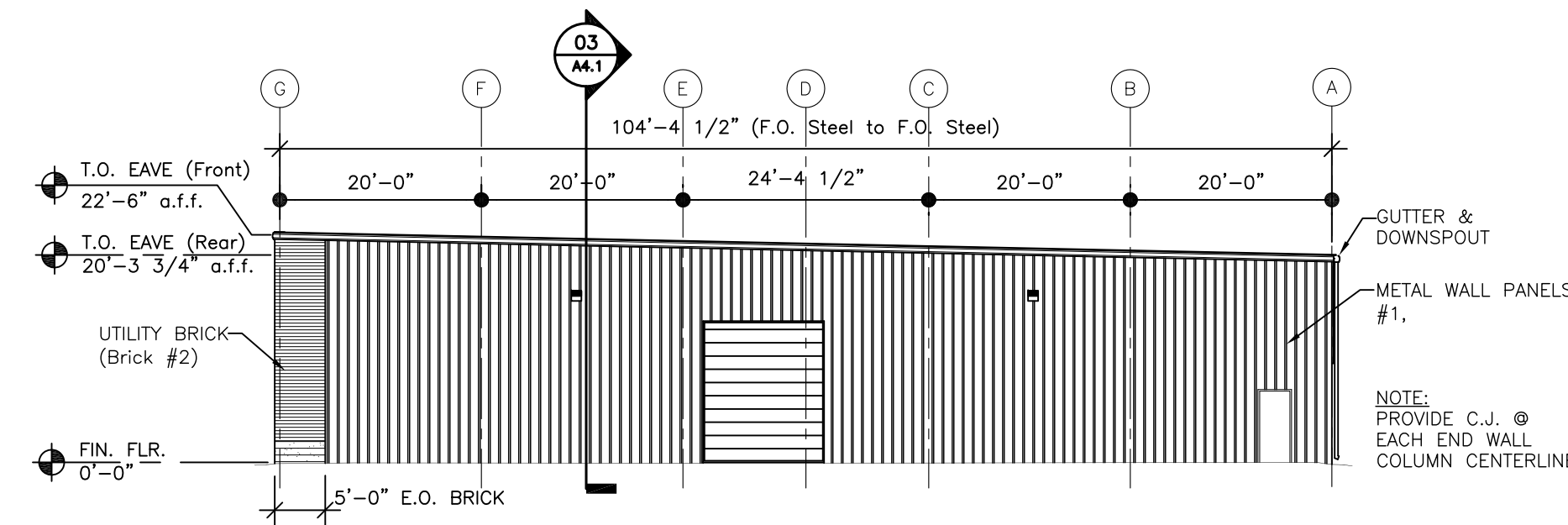


ARCHITECTURAL GROUP

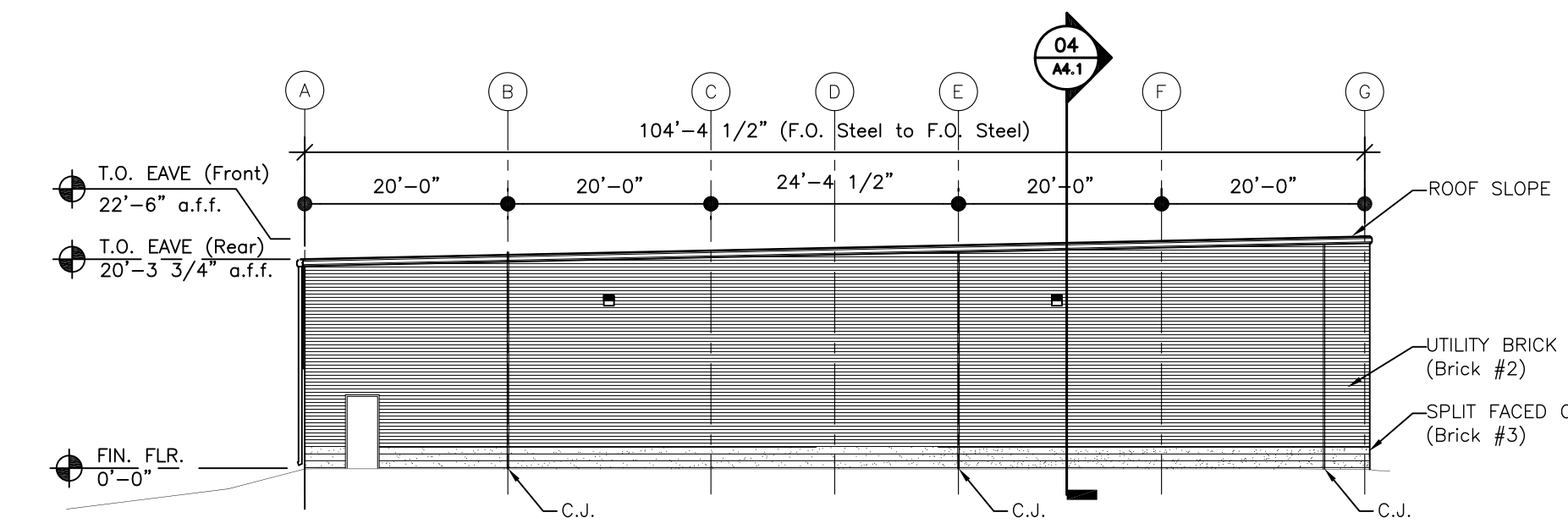
841.1899 tel 1242 Mann Drive Suite 200
841.8440 fax Matthews, North Carolina 28105
www.UrbanAIA.com

Seals:

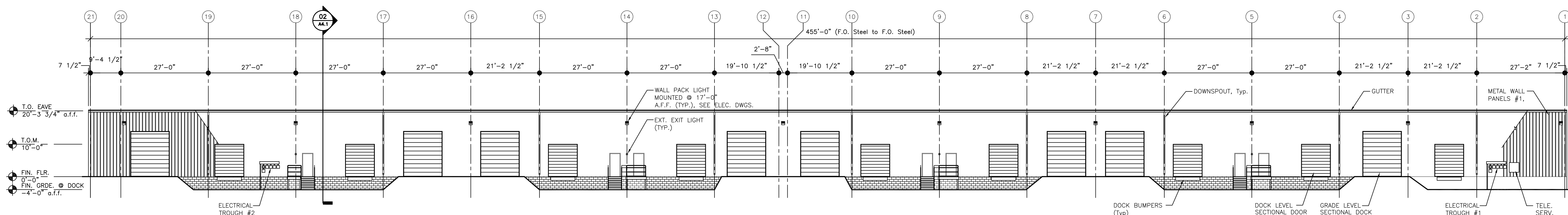
EXTERIOR FINISHES	
BRICK/MASONRY Type 1	Triangle Brick "Bessemer Grey" Utility Size w/ Standard Gray Grout, u.n.o.
BRICK/MASONRY Type 2	Triangle Brick "Northampton" Utility Size
BRICK/MASONRY Type 3	Charlotte Block #8702 4" Split Faced CMU
TRIM/DOWNSPOUTS	Ceco Building Systems 26 Gauge Burnished Slate
WALL PANEL #1	Ceco Building Systems 26 Gauge Burnished Slate



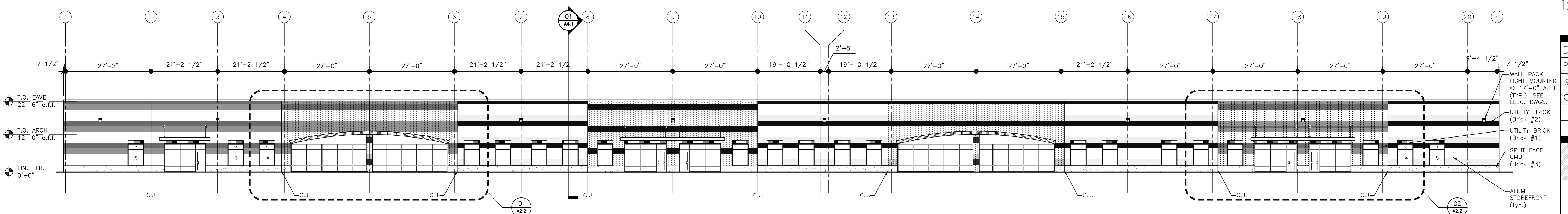
04 ELEVATION: Right Side (NORTH SIDE, BUILDING 1)
1/16" = 1'-0"



03 ELEVATION: Left Side (SOUTH SIDE, BUILDING 1)
1/16" = 1'-0"



02 ELEVATION: Rear
1/16" = 1'-0"



01 ELEVATION: Front
1/16" = 1'-0" (1/32" = 1'-0" when 11x17)

HUNTERSVILLE COMMERCE CENTER
Shell, Parcel 2B

12605 Commerce Station Drive
Huntersville, North Carolina

Date:	October 16, 2017
Project Number:	2017-39
Issued For:	Construction Only: 10.16.17

EXTERIOR ELEVATIONS

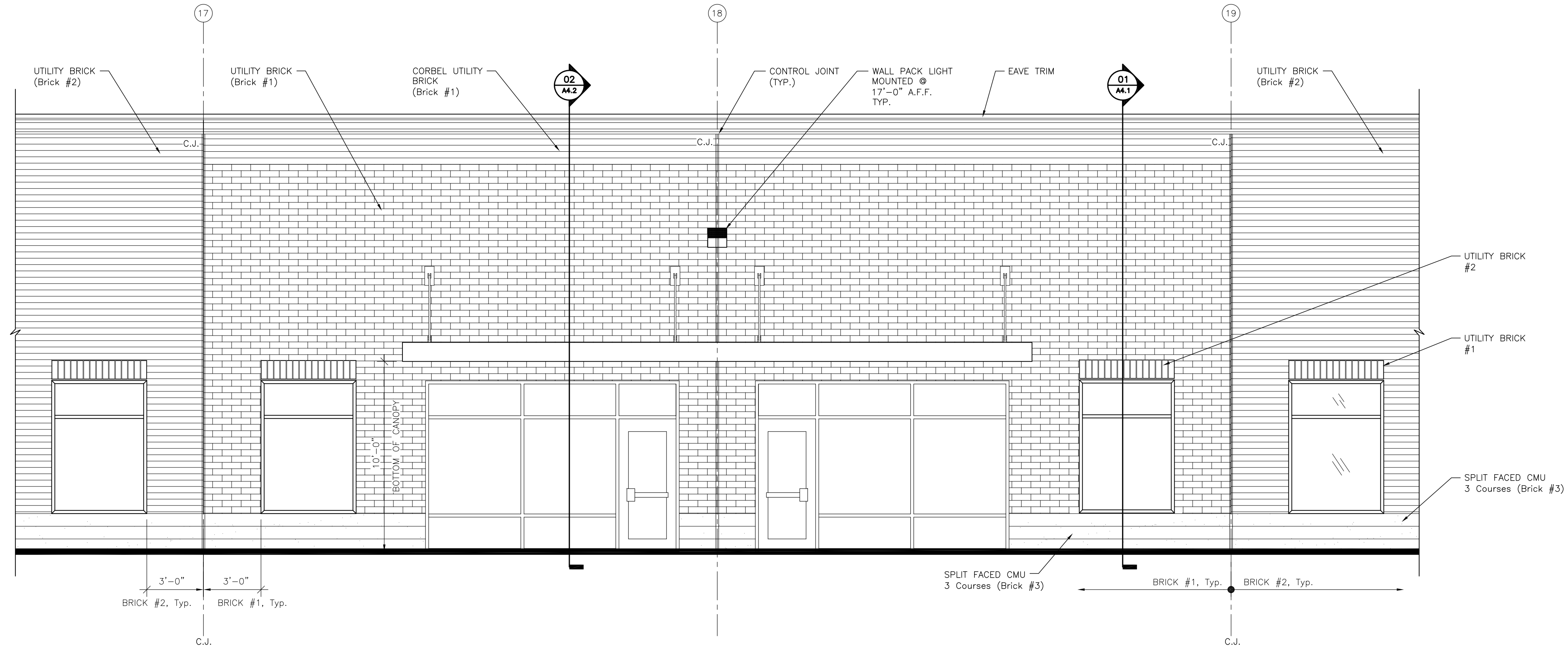
A2.1

© 2017 URBAN ARCHITECTURAL GROUP P.A.
All Rights Reserved. Unauthorized Reproduction Prohibited.

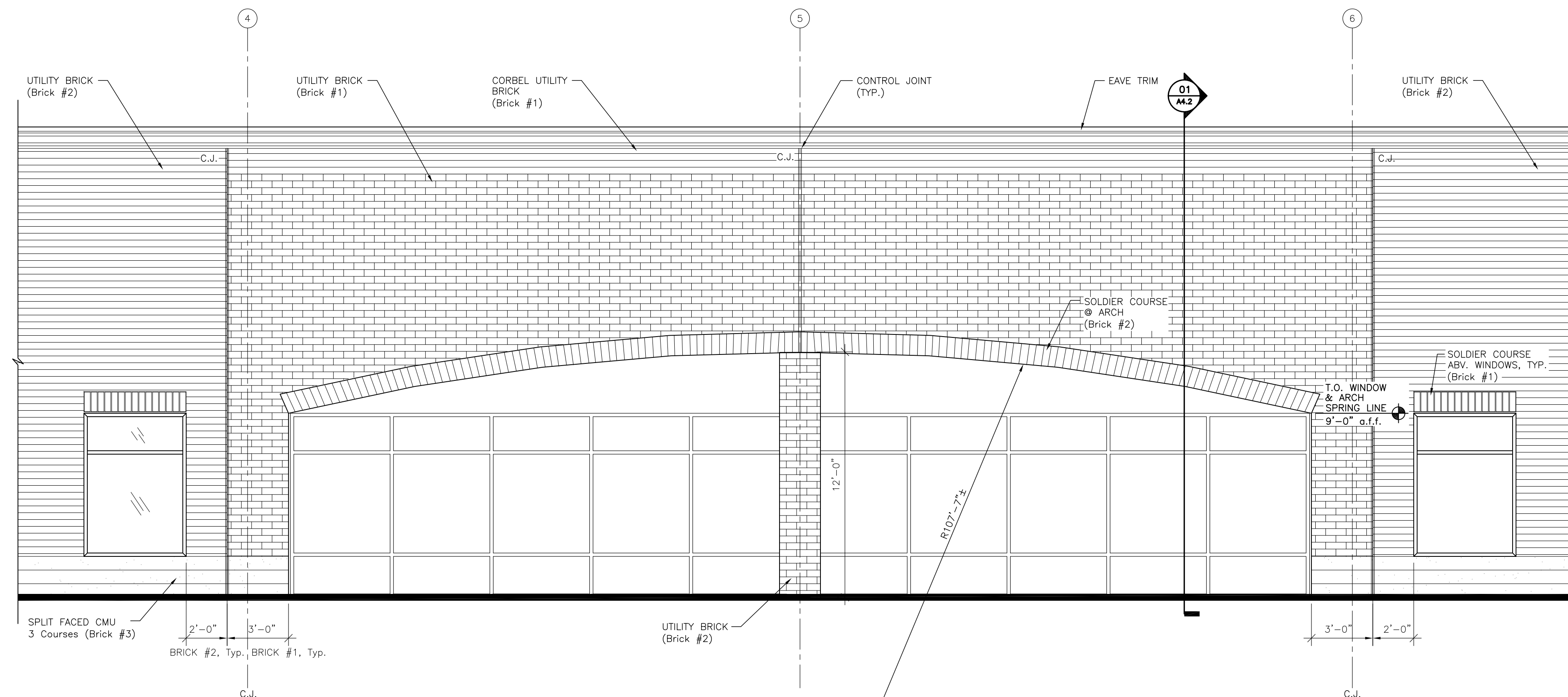


ARCHITECTURAL GROUP
 704 841.1899 tel 1242 Mann Drive Suite 200
 841.8440 fax Matthews, North Carolina 28105
 www.UrbanAIA.com

Seals:



02 ENLARGED ELEVATION: Finish Patterns
 1/4" = 1'-0"



01 ENLARGED ELEVATION: Finish Patterns
 1/4" = 1'-0" (1/8" = 1'-0" when 11x17)

**HUNTERSVILLE
 COMMERCE
 CENTER**
 Shell, Parcel 2B

12605 Commerce Station Drive
 Huntersville, North Carolina

Date:	October 16, 2017
Project Number:	2017-39
Issued For:	
Construction Only:	10.16.17

ENLARGED ELEVATIONS

A2.2

© 2017 URBAN ARCHITECTURAL GROUP P.A.
 All Rights Reserved. Unauthorized Reproduction Prohibited.